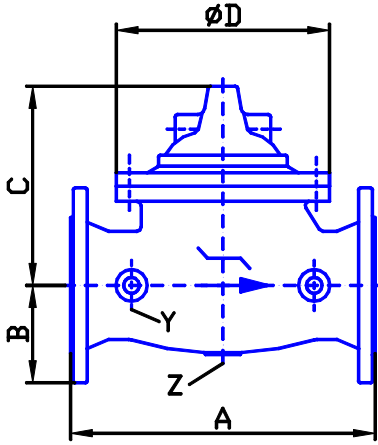
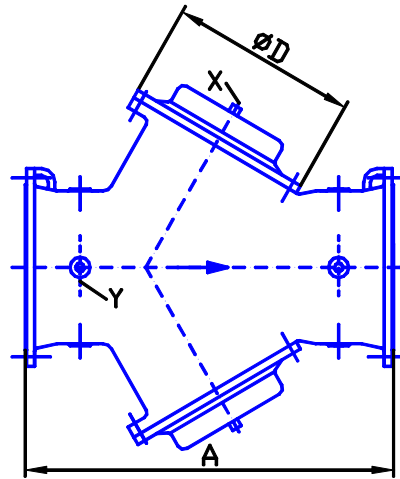


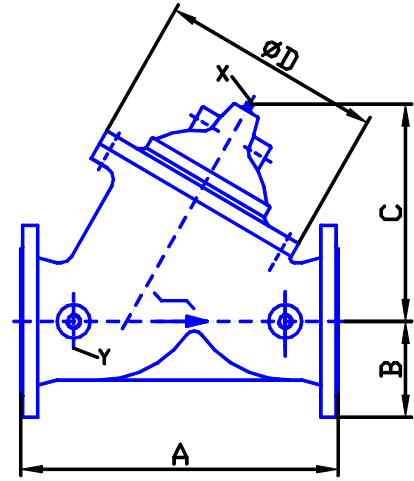
Fig. 100 / 200 / 300



Figur 100



Figur 300



Figur 200

DN	A (mm)	B (mm)	C (mm)	D (mm)	Fig.	X	Y	Z	Kg.
1/2" / 3/4"	90	26	63	69	100	1/8"	1/8"	-	2
1" / 1 1/4"	130	30	83	110	100	1/4"	1/4"	-	3
1 1/2" / 2"	150	45	110	116	100	1/4"	1/4"	3/8"	5
32 / 40	200	70 / 75	120	140	100	3/8"	3/8"	1/4"	15
50	230	83	140	145	100	3/8"	3/8"	1/4"	18
65	290	93	185	200	100	3/8"	3/8"	3/8"	23
80	310	100	185	200	100	3/8"	3/8"	3/8"	34
100	350	110	230	245	200	1/2"	1/2"	1/2"	45
125	400	125	240	245	200	1/2"	1/2"	1/2"	50
150	400	143	320	335	200	1/2"	1/2"	1/2"	78
150	480	143	320	335	200	1/2"	1/2"	1/2"	85
200	600	170	370	430	200	1/2"	1/2"	1/2"	135
250	730	203	390	430	200	1/2"	3/4"	1/2"	150
300	850	230	470	560	200	1"	3/4"	1/2"	305
350	980	253	600	712	100	1 1/4"	3/4"	3/4"	580
400	1100	290	520	2x560	300	1"	3/4"	3/4"	650
400	1100	283	650	712	100	1 1/4"	3/4"	3/4"	600
500	1250	345	780	900	100	1"	3/4"	3/4"	950
600	1450	430	900	900	100	1"	1"		1300
700	1650	465	1200	1230	100	1"	1"		1900
800	1850	593	1260	1230	100	1"	1"		2200